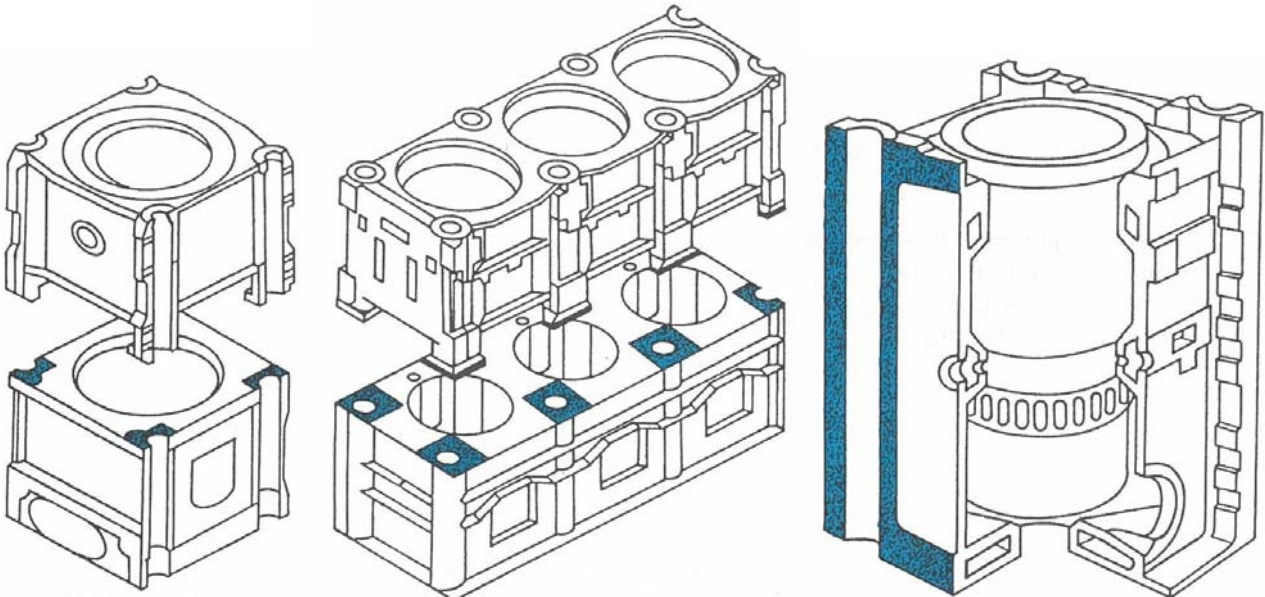




Worldwide repairs carried out with PolymerMetal®

REP-# 032



Repairing of cylinder blocks and working faces of a big marine diesel engines with MM-metal SS-steelceramic. The repair was necessary due to damages caused by big abrasion between cylinder block and working face particularly in the region of the scavenging air receiver. For this type of repair the engine manufacturer recommends to use exclusively MM-metal SS-steelceramic with Hardener green.

MultiMetal
the MetalExistenceCompany®